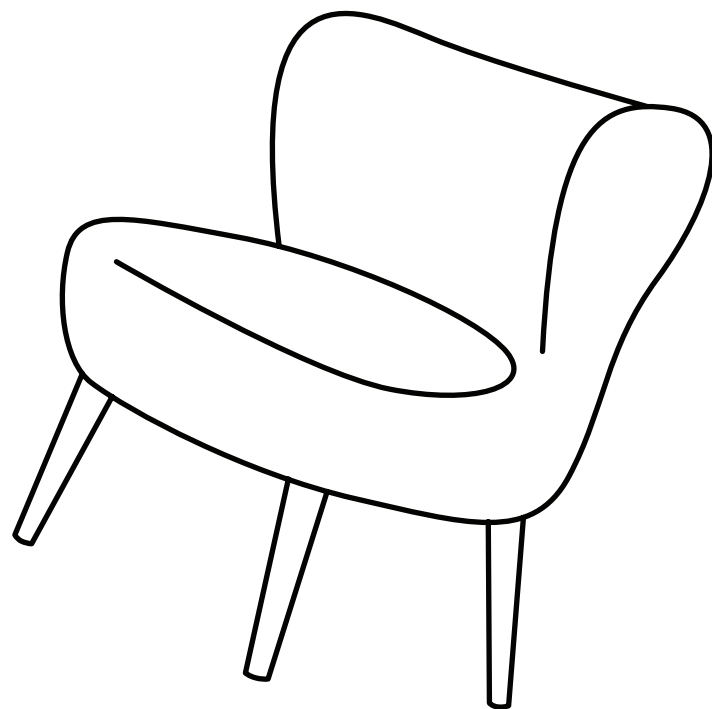
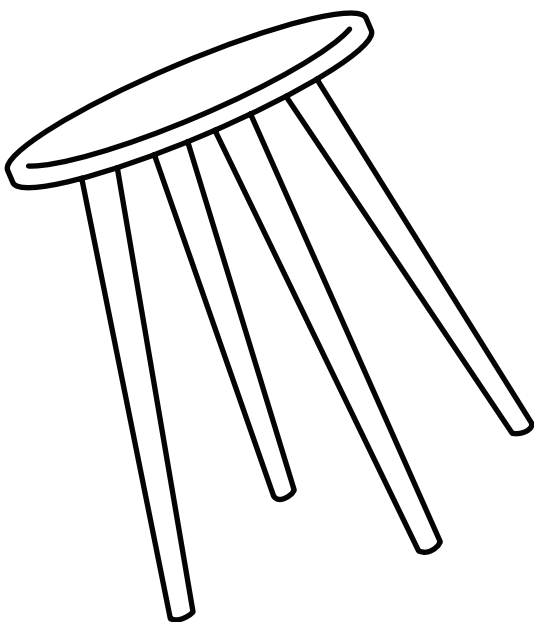


Hello, I've arrived!

Now that I'm here you are only one
flat-pack away from transforming
your home.



Mocka.

Thank you for supporting us.

We believe design belongs to everyone. From materials and processes to safety testing, production and delivery, we are passionate and committed to bringing you the best possible product so you can create beautifully functional spaces to feel comfortably you.

Here are a few assembly tips before you get started:



Make Time

The first step to all seamless assembly is taking a moment to carefully read through the instructions—you are already on your way to creating a beautifully functional space!



Set The Mood

Put on your favourite playlist, order that pizza and pour yourself a drink to get in the mood!



Tool Check

Layout the instructions, screws and panels to check you have everything you need. A blanket or soft floor rug will help protect your new favourite item from scratches and a drill will speed up the assembly too!



Room Reveal

You did it! Take a step back and enjoy the moment. Don't forget to recycle any packaging and share a pic of your room reveal—we love seeing how you transform your home! **Tag us @mockaaustralia/@mockaanz**

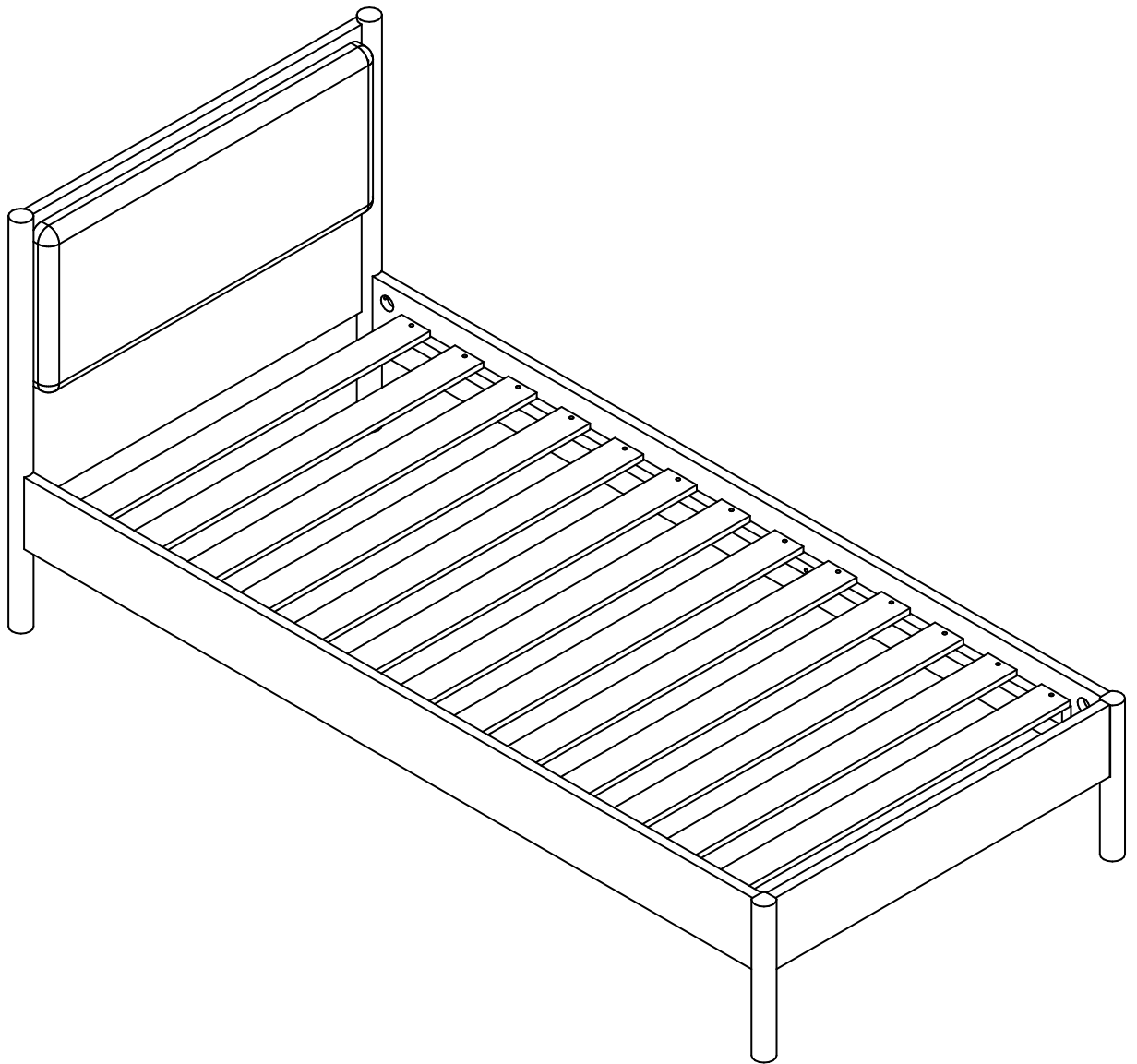
Happy flat-packing!

The Mokka Team

Blair

Bed - Single

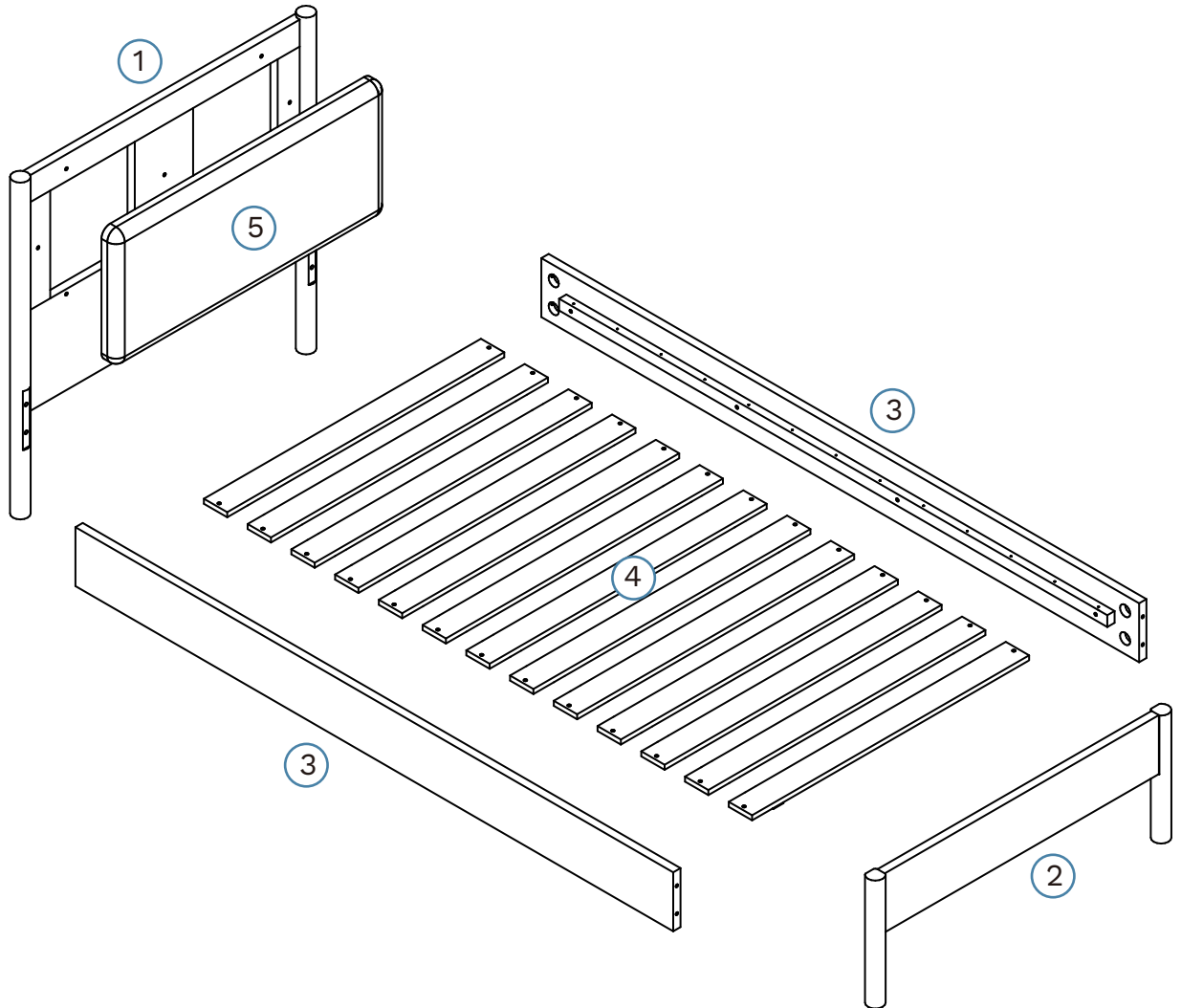
Thank you for your purchase. Please follow the instructions for correct assembly. While we took great effort to ensure these assembly instructions were correct at the time of printing, sometimes updates are required post production. For the most up to date versions please refer to the product page on our website. mocka.com.au/mocka.co.nz



Blair

Bed - Single

Panel Layout


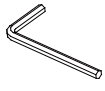


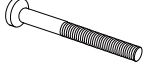
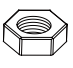



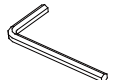


Partlist

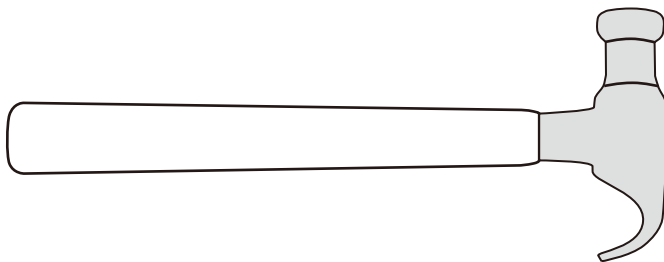
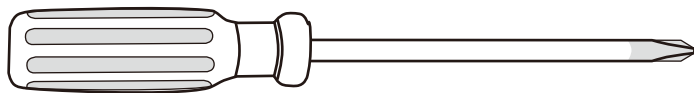
①	Headboard	x1	④	Slat	x13
②	Footboard	x1	⑤	Upholstered Headboard	x1
③	Side Panel	x2			

Blair

Bed - Single

<p>A</p>  <p>screw x26</p>	<p>B</p>  <p>allen Key x1</p>	<p>C</p>  <p>half Round nut x8</p>	<p>D</p>  <p>threaded rod x4</p>	<p>E</p>  <p>hexagonal bolt x4</p>
<p>F</p>  <p>hexagonal nut x8</p>	<p>G</p>  <p>bolt x7</p>	<p>H</p>  <p>spanner x1</p>	<p>I</p>  <p>plastic glide x4</p>	<p>J</p>  <p>large allen Key x1</p>

HARDWARE SUPPLIED




Phillips screwdrivers and hammer required

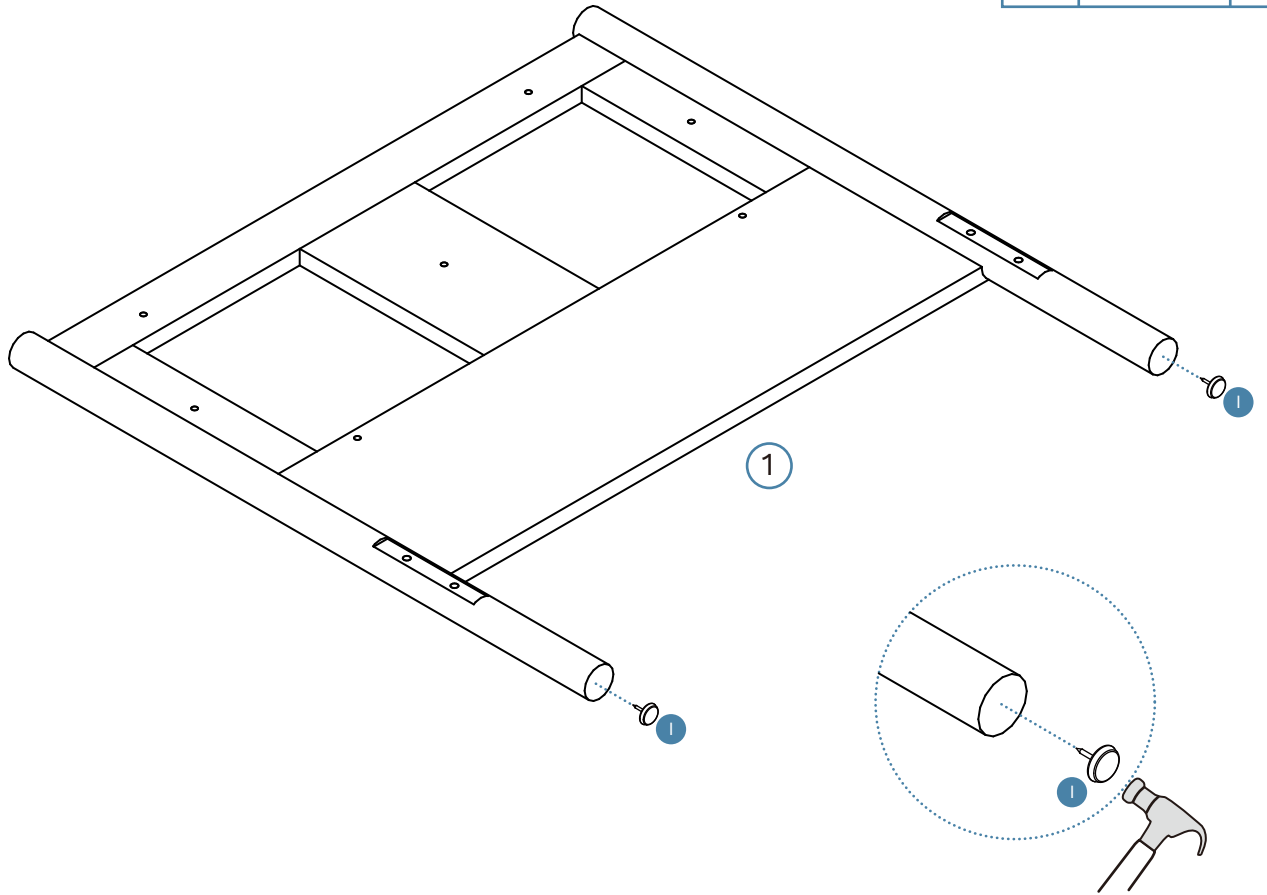
For quicker assembly, we recommend the use of a power drill on a low-speed setting.

Blair



Bed - Single

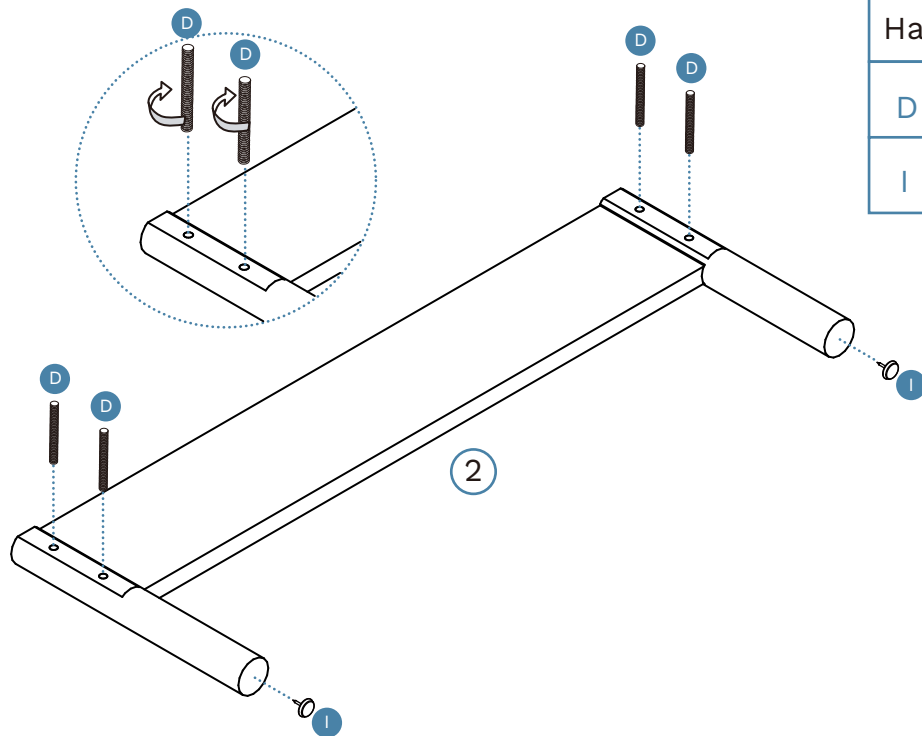
1

Hardware Needed		
I		x2



2

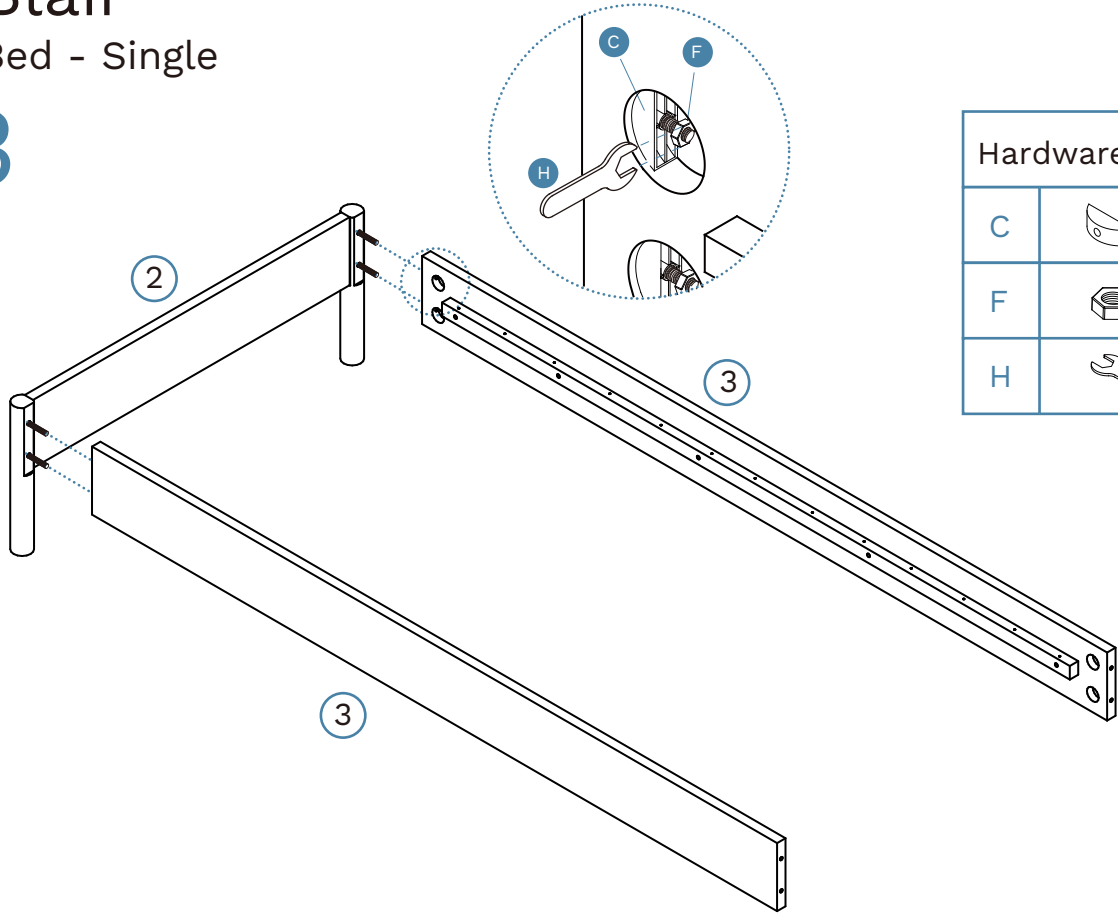
Hardware Needed		
D		x4
I		x2



Blair

Bed - Single

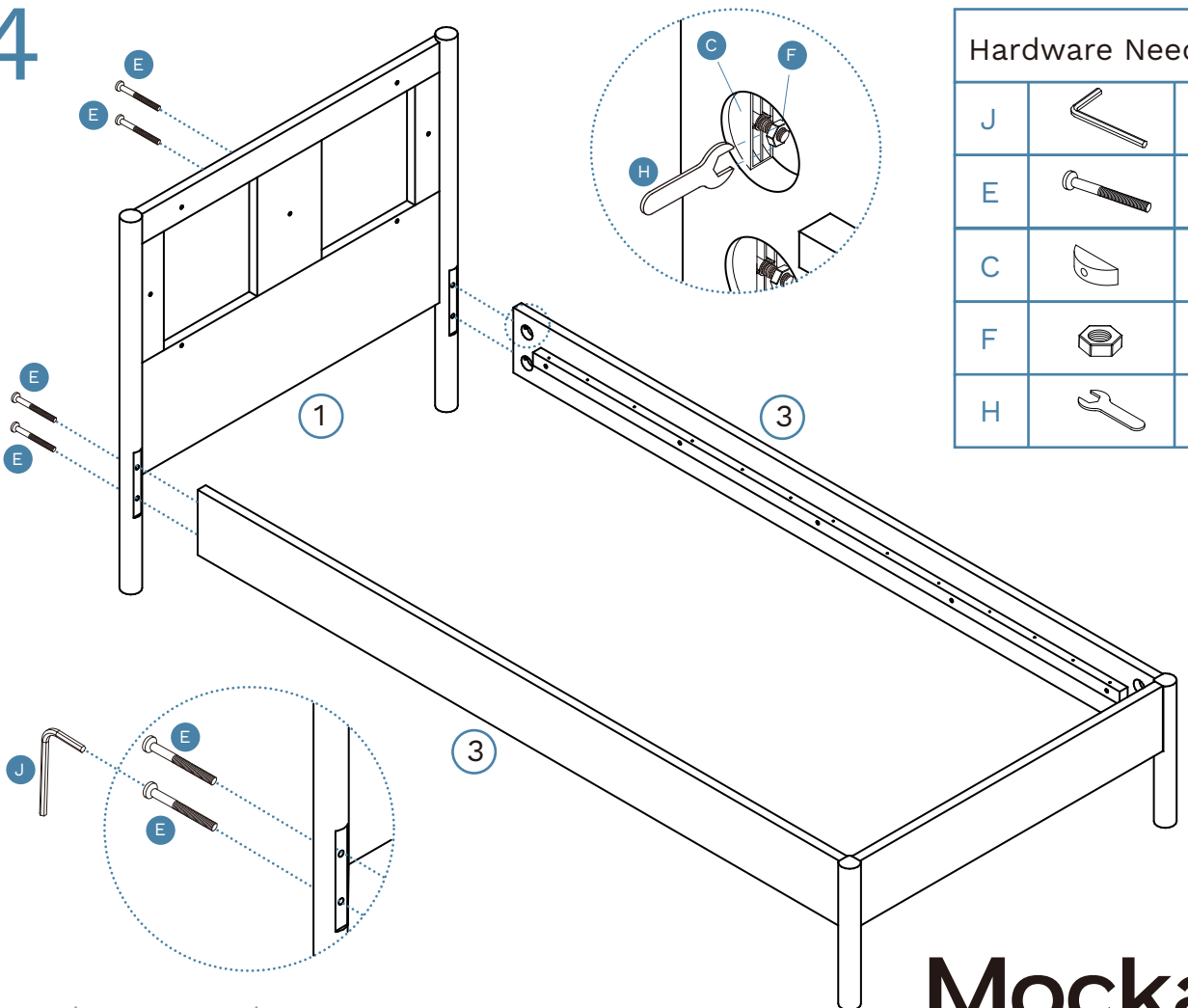
3



Hardware Needed

C		x4
F		x4
H		x1

4



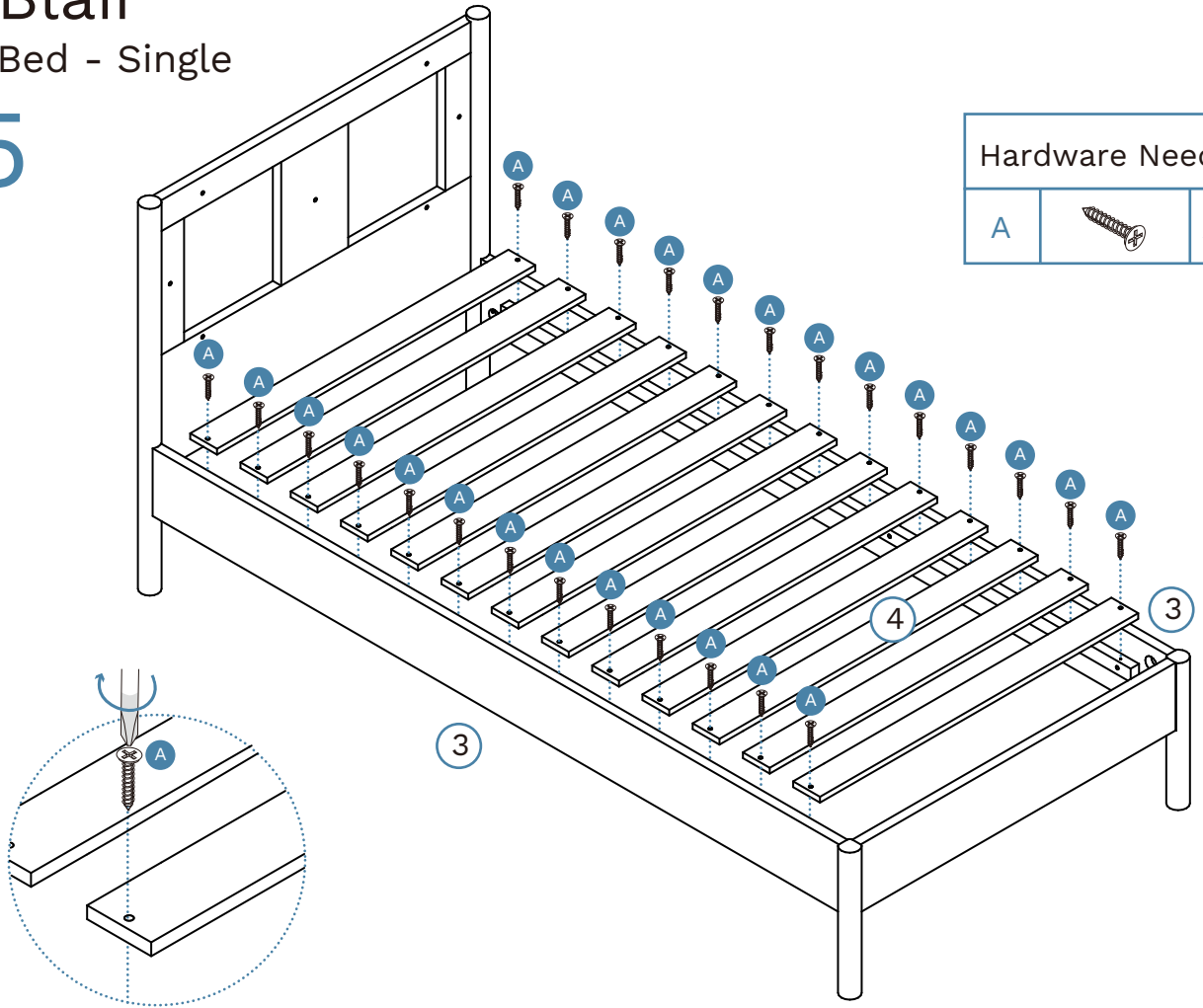
Hardware Needed


J		x1
E		x4
C		x4
F		x4
H		x1

Blair

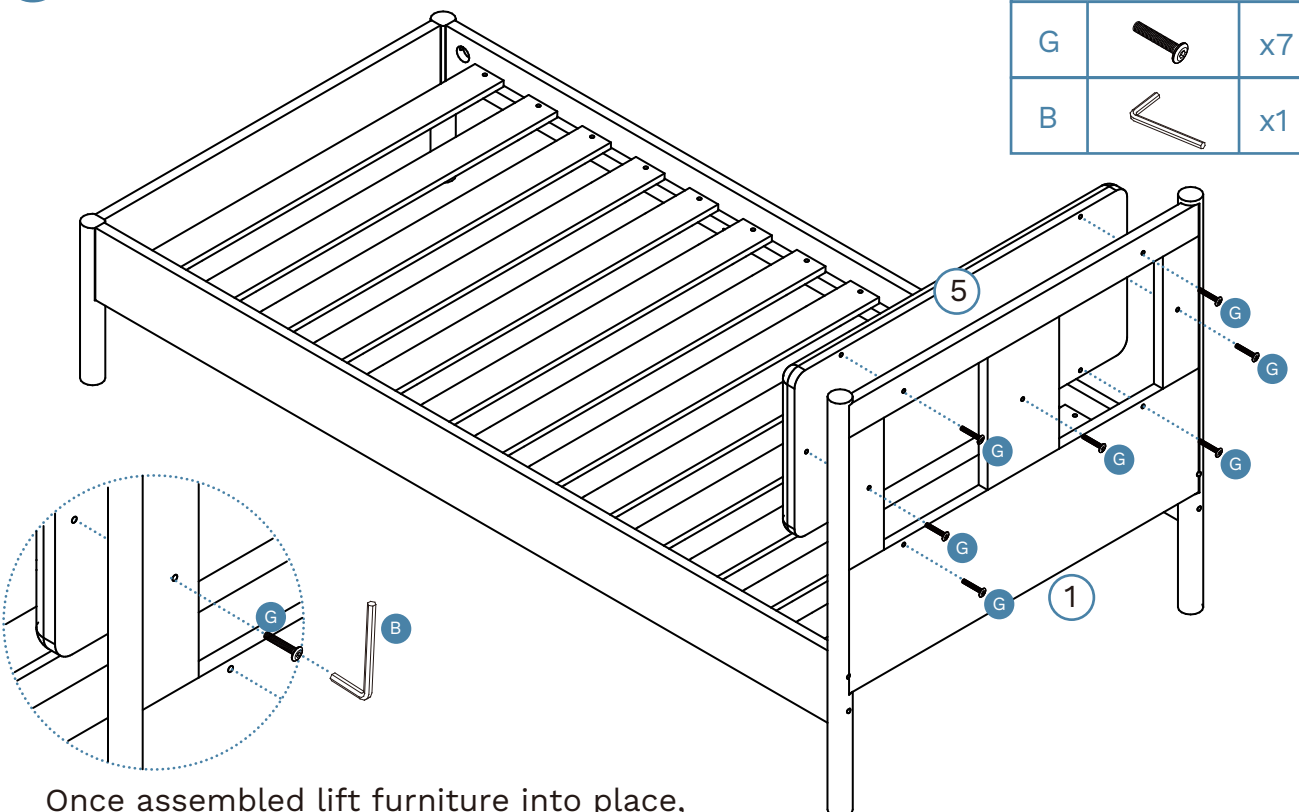
Bed - Single



5



Hardware Needed		
A		x26

6



Hardware Needed		
G		x7
B		x1

Once assembled lift furniture into place, do not drag. You're done, enjoy!